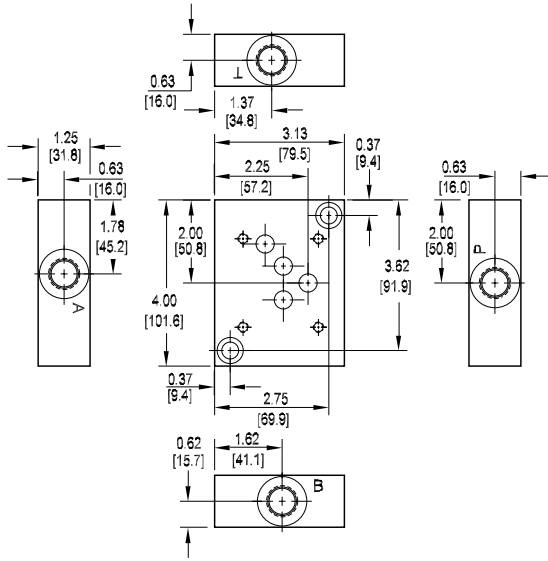


D05 Subplates

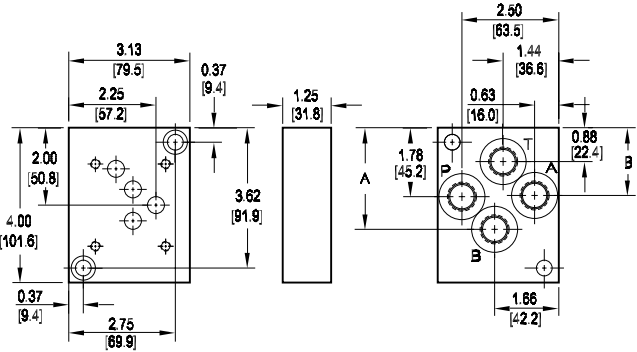
Side Ported Subplate

Valve mtg: UNC 0.25-20 x 0.75 DP or
Metric M6-1.0mm ISO 6H x [19.1] DP
Subplate hardware kit is supplied.
See page 121 for itemized list.



Back Ported Subplate

Valve mtg: UNC 0.25-20 x 0.75 DP or
Metric M6-1.0mm ISO 6H x [19.1] DP
Subplate hardware kit is supplied.
See page 121 for itemized list.



Dimension	A	B
*D05SPB6P	2.63 [66.8]	1.75 [44.5]
*D05SPB8B	2.94 [74.6]	2.00 [50.8]
*D05SPB8[M,P,S,T]	2.63 [66.8]	1.75 [44.5]

Specifications, descriptions, and dimensional data are subject to correction or change without notice or incurring obligation. Download latest catalog page revisions at www.damanifolds.com.

Ordering Information

Material	Valve Pattern	Product Type	Port Location	Port Threads
----------	---------------	--------------	---------------	--------------

Material	
A	Aluminum - 6061-T6 3000† psi • 20.7 MPa
D	Ductile Iron - D4512 5000† psi • 34.5 MPa

† Working pressure should be considered in accordance with ISO 4413 to determine appropriate material type.

Product Type	
SP	Subplate

Port Location	
S	Side ported
B	Back Ported

Port Threads	
6P	0.38-18 NPTF ANSI B1.20.3
8P	0.50-14 NPTF ANSI B1.20.3
8S	-8 SAE ISO 11926; SAE 1926
8B	0.50-14 BSPP ISO 1179; BS 2779
8M	M18 x 1.5 ISO 6149
8T	0.50-14 BSPT ISO 7; BS 21

Valve Pattern	
D05	ISO 4401-05-04 NFPA T3.5.1-D05 See Tech Information

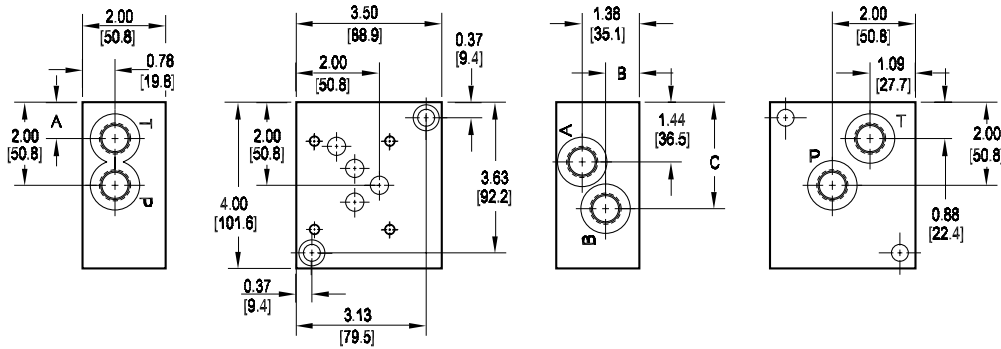
D05 Subplates

Dual Ported Subplate

Valve mtg: UNC 0.25-20 x 0.56 DP or
Metric M6-1.0mm ISO 6H x [14.2] DP

Subplate hardware kit is supplied.

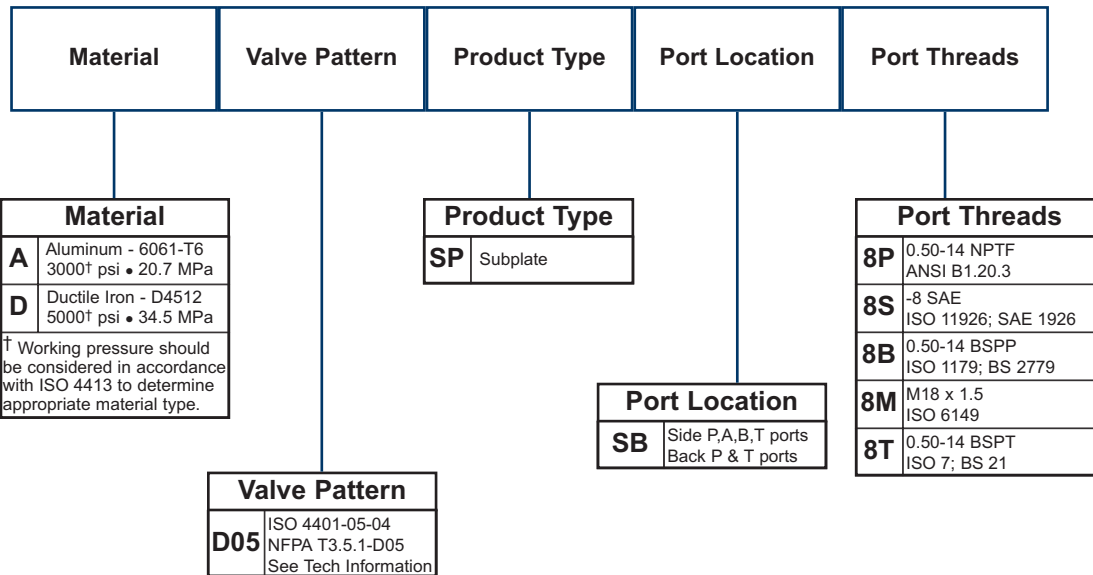
See page 121 for itemized list.



Dimension	A	B	C
*D05SPSB8B	0.66 [16.7]	0.78 [19.8]	2.81 [71.4]
*D05SPSB8[M,P,S,T]	0.88 [22.2]	1.38 [35.1]	2.56 [65.1]

Specifications, descriptions, and dimensional data are subject to correction or change without notice or incurring obligation. Download latest catalog page revisions at www.damanifolds.com.

Ordering Information



Material	
A	Aluminum - 6061-T6 3000† psi • 20.7 MPa
D	Ductile Iron - D4512 5000† psi • 34.5 MPa
† Working pressure should be considered in accordance with ISO 4413 to determine appropriate material type.	

Product Type	
SP	Subplate

Port Location	
SB	Side P,A,B,T ports Back P & T ports

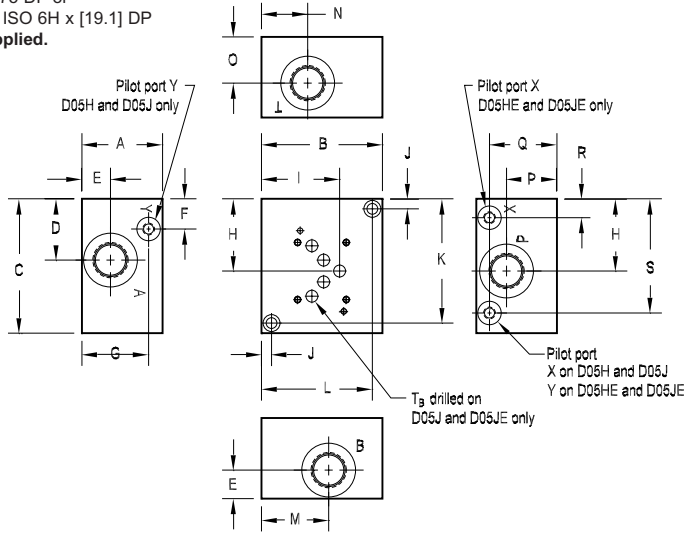
Port Threads	
8P	0.50-14 NPTF ANSI B1.20.3
8S	-8 SAE ISO 11926; SAE 1926
8B	0.50-14 BSPP ISO 1179; BS 2779
8M	M18 x 1.5 ISO 6149
8T	0.50-14 BSPT ISO 7; BS 21

Valve Pattern	
D05	ISO 4401-05-04 NFFPA T3.5.1-D05 See Tech Information

D05 High Flow Subplates with Pilot Ports

Side Ported Subplate

Valve mtg: UNC 0.25-20 x 0.75 DP or
Metric M6-1.0mm ISO 6H x [19.1] DP
Subplate hardware kit is supplied.
See page 121 for itemized list.



Dimension	A	B	C	D	E	F	G	H	I	J	K	L	M	N	O	P	Q	R	S		
D05HSPS12	1.75 [44.5]	3.75 [95.3]	4.75 [120.7]	2.13 [54.1]	0.88 [22.4]	0.81 [20.6]	0.88 [22.4]	2.37 [60.2]	2.53 [64.3]	0.38 [9.5]	4.37 [111.0]	3.38 [85.9]	1.88 [47.8]	1.88 [47.8]	0.88 [22.4]	0.88 [22.4]	0.88 [22.4]	0.88 [22.4]	0.44 [11.2]	1.00 [25.4]	3.94 [100.1]
D05HESPS12	1.75 [44.5]	3.75 [95.3]	4.75 [120.7]	2.13 [54.1]	0.88 [22.4]	--	--	2.37 [60.2]	2.53 [64.3]	0.38 [9.5]	4.37 [111.0]	3.38 [85.9]	1.88 [47.8]	1.88 [47.8]	0.88 [22.4]	0.88 [22.4]	0.44 [11.2]	1.00 [25.4]	3.94 [100.1]		
D05JSPS16	3.00 [76.2]	4.50 [114.3]	5.00 [127.0]	2.28 [57.9]	1.06 [27.0]	1.25 [31.8]	2.50 [63.5]	2.69 [68.3]	2.91 [73.8]	0.38 [9.5]	4.63 [117.5]	4.13 [104.8]	2.50 [63.5]	1.72 [43.7]	1.72 [43.7]	1.88 [47.6]	2.50 [63.5]	--	4.19 [106.4]		
D05JESPS16	3.00 [76.2]	4.50 [114.3]	5.00 [127.0]	2.28 [57.9]	1.06 [27.0]	--	--	2.69 [68.3]	2.91 [73.8]	0.38 [9.5]	4.63 [117.5]	4.13 [104.8]	2.50 [63.5]	1.72 [43.7]	1.72 [43.7]	1.88 [47.6]	2.25 [57.2]	1.13 [28.6]	4.25 [108.0]		

Specifications, descriptions, and dimensional data are subject to correction or change without notice or incurring obligation. Download latest catalog page revisions at www.damanifolds.com.

Ordering Information

Material	Valve Pattern	Product Type	Port Location	Port Threads
----------	---------------	--------------	---------------	--------------

Material	
A	Aluminum - 6061-T6 3000† psi • 20.7 MPa
D	Ductile Iron - D4512 5000† psi • 34.5 MPa

† Working pressure should be considered in accordance with ISO 4413 to determine appropriate material type.

Valve Pattern	
See Tech Information	
D05H	(USA std.) NFFPA T3.5.1-D05 Alt B High flow
D05HE	ISO 4401-05-05 NFFPA T3.5.1-D05 Alt A High flow
D05J	(USA std.) NFFPA T3.5.1-D05 Alt B Extra high flow
D05JE	ISO 4401-05-05 NFFPA T3.5.1-D05 Alt A Extra high flow

Port Location	
S	Side ported

P, T, A, B Port Threads			X & Y port size (reference)
D05H or D05HE only	D05J or D05JE only		
12P 0.75-14 NPTF ANSI B1.20.3	16P 1.00-11.5 NPTF ANSI B1.20.3		0.25-18 NPTF ANSI B1.20.3
12S -12 SAE ISO 11926; SAE 1926	16S -16 SAE ISO 11926; SAE 1926		-4 SAE ISO 11926; SAE 1926
12B 0.75-14 BSPP ISO 1179; BS 2779	16B 1.00-11 BSPP ISO 1179; BS 2779		0.25-19 BSPP ISO 1179; BS 2779
12M M27 x 2.0 ISO 6149	16M M33 x 2.0 ISO 6149		M10 x 1.0 ISO 6149
12T 0.75-14 BSPT ISO 7; BS 21	16T 1.00-11 BSPT ISO 7; BS 21		0.25-19 BSPT ISO 7; BS 21

Product Type	
SP	Subplate

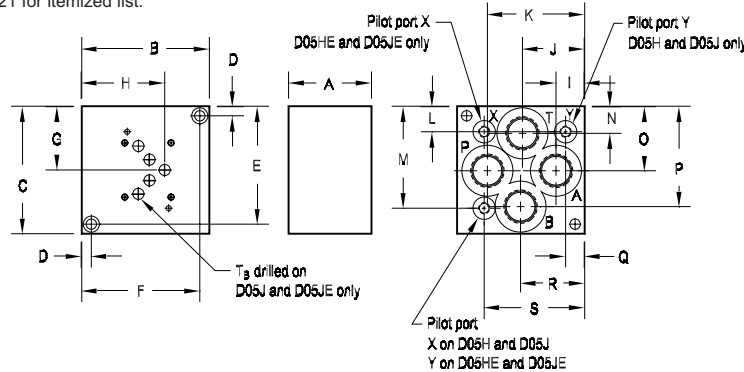
D05 High Flow Subplates with Pilot Ports

Back Ported Subplate

Valve mtg: UNC 0.25-20 x 0.75 DP or
Metric M6-1.0mm ISO 6H x [19.1] DP

Subplate hardware kit is supplied.

See page 121 for itemized list.



Dimension	A	B	C	D	E	F	G	H	I	J	K	L	M	N	O	P	Q	R	S
D05HSPB12	1.75 [44.5]	4.50 [114.3]	4.75 [120.7]	0.38 [9.5]	4.38 [111.3]	4.13 [104.9]	2.37 [60.2]	2.91 [73.9]	1.13 [28.6]	2.19 [55.6]	3.31 [84.1]	0.88 [22.2]	3.88 [98.4]	1.13 [28.7]	2.38 [60.5]	3.56 [90.4]	0.59 [15.1]	2.25 [57.2]	3.56 [90.5]
D05HESPB12	1.75 [44.5]	4.50 [114.3]	4.75 [120.7]	0.38 [9.5]	4.38 [111.3]	4.13 [104.9]	2.37 [60.2]	2.91 [73.9]	1.13 [28.6]	2.25 [57.2]	3.31 [84.1]	0.81 [20.6]	3.94 [100.1]	1.13 [28.7]	2.38 [60.5]	3.56 [90.4]	--	2.25 [57.2]	3.50 [88.9]
*D05JSPB16B	3.25 [82.6]	5.00 [127.0]	5.00 [127.0]	0.38 [9.5]	4.63 [117.5]	4.63 [117.5]	2.50 [63.5]	3.25 [82.6]	1.00 [25.4]	2.44 [61.9]	3.84 [97.6]	0.88 [22.2]	4.13 [104.8]	1.00 [25.4]	2.53 [64.3]	4.00 [101.6]	0.75 [19.1]	2.44 [61.9]	4.25 [108.0]
*D05JSPB16[M,P,S,T]	3.25 [82.6]	5.00 [127.0]	5.00 [127.0]	0.38 [9.5]	4.63 [117.5]	4.63 [117.5]	2.50 [63.5]	3.25 [82.6]	1.13 [28.6]	2.44 [61.9]	3.81 [96.8]	1.06 [27.0]	4.00 [101.6]	1.06 [27.0]	2.53 [64.3]	3.94 [100.1]	0.75 [19.1]	2.44 [61.9]	3.94 [100.1]
D05JESPB16	3.25 [82.6]	5.00 [127.0]	5.00 [127.0]	0.38 [9.5]	4.63 [117.5]	4.63 [117.5]	2.50 [63.5]	3.25 [82.6]	1.00 [25.4]	2.44 [61.9]	3.84 [97.6]	1.06 [27.0]	4.00 [101.6]	1.06 [27.0]	2.53 [64.3]	4.00 [101.6]	--	2.44 [61.9]	3.94 [100.1]

Specifications, descriptions, and dimensional data are subject to correction or change without notice or incurring obligation. Download latest catalog page revisions at www.damanifolds.com.

Ordering Information



Material	
A	Aluminum - 6061-T6 3000† psi • 20.7 MPa
D	Ductile Iron - D4512 5000† psi • 34.5 MPa

† Working pressure should be considered in accordance with ISO 4413 to determine appropriate material type.

Valve Pattern	
See Tech Information	
D05H	(USA std.) NFPA T3.5.1-D05 Alt B High flow
D05HE	ISO 4401-05-05 NFPA T3.5.1-D05 Alt A High flow
D05J	(USA std.) NFPA T3.5.1-D05 Alt B Extra high flow
D05JE	ISO 4401-05-05 NFPA T3.5.1-D05 Alt A Extra high flow

Port Location	
B	Back ported

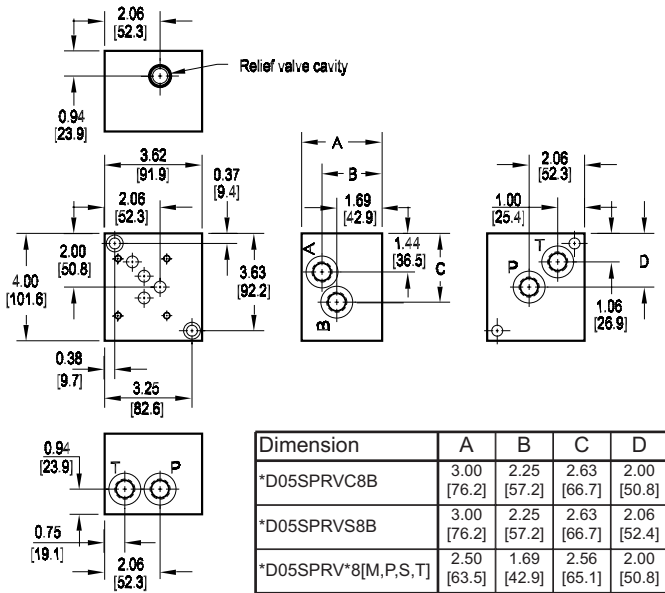
P, T, A, B Port Threads				X & Y port size (reference)
D05H or D05HE only		D05J or D05JE only		
12P	0.75-14 NPTF ANSI B1.20.3	16P	1.00-11.5 NPTF ANSI B1.20.3	0.25-18 NPTF ANSI B1.20.3
12S	-12 SAE ISO 11926; SAE 1926	16S	-16 SAE ISO 11926; SAE 1926	-4 SAE ISO 11926; SAE 1926
12B	0.75-14 BSPP ISO 1179; BS 2779	16B	1.00-11 BSPP ISO 1179; BS 2779	0.25-19 BSPP ISO 1179; BS 2779
12M	M27 x 2.0 ISO 6149	16M	M33 x 2.0 ISO 6149	M10 x 1.0 ISO 6149
12T	0.75-14 BSPT ISO 7; BS 21	16T	1.00-11 BSPT ISO 7; BS 21	0.25-19 BSPT ISO 7; BS 21

Product Type	
SP	Subplate

D05 Subplates with Relief Cavity

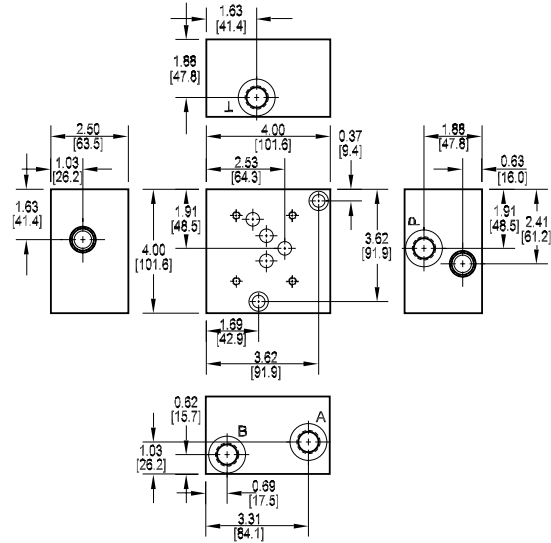
Dual Ported Subplate with Main Relief Cavity

Valve mtg: UNC 0.25-20 x 0.75 DP or
Metric M6-1.0mm ISO 6H x [19.1] DP
Subplate hardware kit is supplied.
See page 121 for itemized list.



Side Ported Subplate with Cylinder Port Crossover Relief Cavities

Valve mtg: UNC 0.25-20 x 0.75 DP or
Metric M6-1.0mm ISO 6H x [19.1] DP
Subplate hardware kit is supplied.
See page 122 for itemized list.



Specifications, descriptions, and dimensional data are subject to correction or change without notice or incurring obligation. Download latest catalog page revisions at www.damanifolds.com.

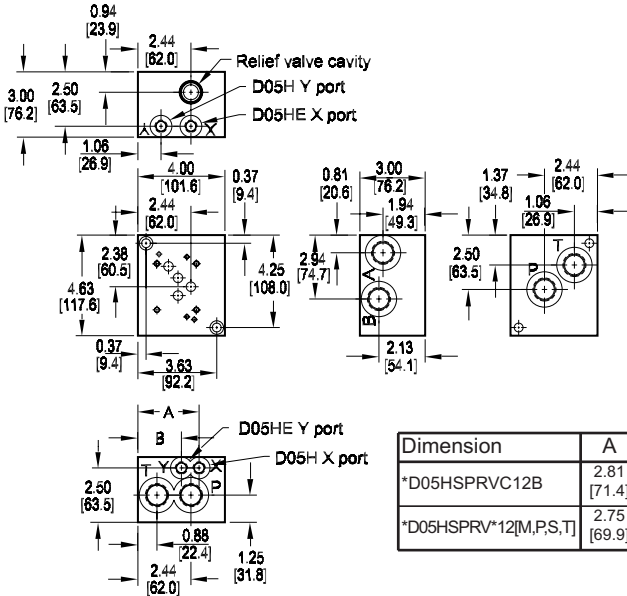
Ordering Information

Material	Valve Pattern	Product Type	Circuit	Relief Cavity	Port Threads																																								
<table border="1"> <thead> <tr> <th colspan="2">Material</th> </tr> </thead> <tbody> <tr> <td>A</td> <td>Aluminum - 6061-T6 3000† psi • 20.7 MPa</td> </tr> <tr> <td>D</td> <td>Ductile Iron - D4512 5000† psi • 34.5 MPa</td> </tr> <tr> <td colspan="2">† Working pressure should be considered in accordance with ISO 4413 to determine appropriate material type.</td> </tr> </tbody> </table>	Material		A	Aluminum - 6061-T6 3000† psi • 20.7 MPa	D	Ductile Iron - D4512 5000† psi • 34.5 MPa	† Working pressure should be considered in accordance with ISO 4413 to determine appropriate material type.		<table border="1"> <thead> <tr> <th colspan="2">Valve Pattern</th> </tr> </thead> <tbody> <tr> <td>D05</td> <td>ISO 4401-05-04 NFPA T3.5.1-D05 See Tech Information</td> </tr> </tbody> </table>	Valve Pattern		D05	ISO 4401-05-04 NFPA T3.5.1-D05 See Tech Information	<table border="1"> <thead> <tr> <th colspan="2">Product Type</th> </tr> </thead> <tbody> <tr> <td>SP</td> <td>Subplate</td> </tr> </tbody> </table>	Product Type		SP	Subplate	<table border="1"> <thead> <tr> <th colspan="2">Circuit</th> </tr> </thead> <tbody> <tr> <td>RV</td> <td>Main Relief P to T</td> </tr> <tr> <td>CR</td> <td>Crossover Reliefs A to B and B to A</td> </tr> </tbody> </table>	Circuit		RV	Main Relief P to T	CR	Crossover Reliefs A to B and B to A	<table border="1"> <thead> <tr> <th colspan="2">Relief Cavity</th> </tr> </thead> <tbody> <tr> <td>C</td> <td>Common cavity C-10-2 (P in nose)</td> </tr> <tr> <td>S</td> <td>Sun Cavity T-10A (P in nose) See Tech Info for valves.</td> </tr> </tbody> </table>	Relief Cavity		C	Common cavity C-10-2 (P in nose)	S	Sun Cavity T-10A (P in nose) See Tech Info for valves.	<table border="1"> <thead> <tr> <th colspan="2">Port Threads</th> </tr> </thead> <tbody> <tr> <td>8P</td> <td>0.50-14 NPTF ANSI B1.20.3</td> </tr> <tr> <td>8S</td> <td>-8 SAE ISO 11926; SAE 1926</td> </tr> <tr> <td>8B</td> <td>0.50-14 BSPP ISO 1179; BS 2779</td> </tr> <tr> <td>8M</td> <td>M18 x 1.5 ISO 6149</td> </tr> <tr> <td>8T</td> <td>0.50-14 BSPT ISO 7; BS 21</td> </tr> </tbody> </table>	Port Threads		8P	0.50-14 NPTF ANSI B1.20.3	8S	-8 SAE ISO 11926; SAE 1926	8B	0.50-14 BSPP ISO 1179; BS 2779	8M	M18 x 1.5 ISO 6149	8T	0.50-14 BSPT ISO 7; BS 21
Material																																													
A	Aluminum - 6061-T6 3000† psi • 20.7 MPa																																												
D	Ductile Iron - D4512 5000† psi • 34.5 MPa																																												
† Working pressure should be considered in accordance with ISO 4413 to determine appropriate material type.																																													
Valve Pattern																																													
D05	ISO 4401-05-04 NFPA T3.5.1-D05 See Tech Information																																												
Product Type																																													
SP	Subplate																																												
Circuit																																													
RV	Main Relief P to T																																												
CR	Crossover Reliefs A to B and B to A																																												
Relief Cavity																																													
C	Common cavity C-10-2 (P in nose)																																												
S	Sun Cavity T-10A (P in nose) See Tech Info for valves.																																												
Port Threads																																													
8P	0.50-14 NPTF ANSI B1.20.3																																												
8S	-8 SAE ISO 11926; SAE 1926																																												
8B	0.50-14 BSPP ISO 1179; BS 2779																																												
8M	M18 x 1.5 ISO 6149																																												
8T	0.50-14 BSPT ISO 7; BS 21																																												

D05 High Flow Subplates with Pilot Ports and Relief Cavity

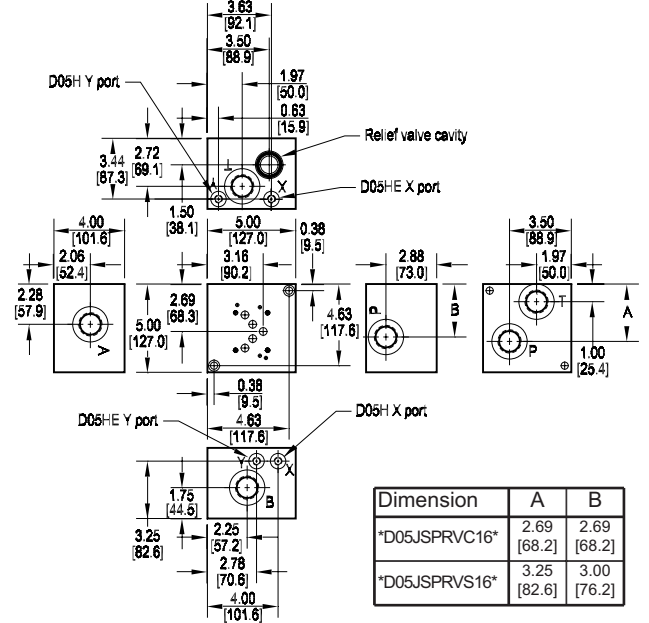
D05H High Flow Subplate with Main Relief Cavity

Valve mtg: UNC 0.25-20 x 0.75 DP or Metric M6-1.0mm ISO 6H x [19.1] DP
Subplate hardware kit is supplied. See page 121 for itemized list.



D05J Extra High Flow Subplate with Main Relief Cavity

Valve mtg: UNC 0.25-20 x 0.75 DP or Metric M6-1.0mm ISO 6H x [19.1] DP
Subplate hardware kit is supplied. See page 122 for itemized list.



Specifications, descriptions, and dimensional data are subject to correction or change without notice or incurring obligation. Download latest catalog page revisions at www.damanifolds.com.

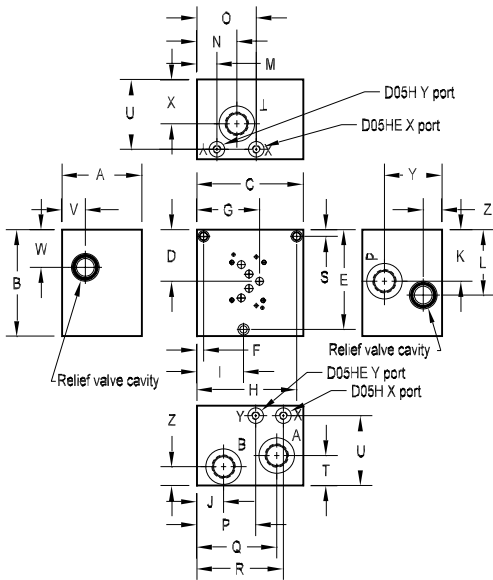
Ordering Information

Material	Valve Pattern	Product Type	Circuit	Relief Cavity	Port Threads																																																	
<table border="1"> <thead> <tr> <th colspan="2">Material</th> </tr> </thead> <tbody> <tr> <td>A</td> <td>Aluminum - 6061-T6 3000† psi • 20.7 MPa</td> </tr> <tr> <td>D</td> <td>Ductile Iron - D4512 5000† psi • 34.5 MPa</td> </tr> </tbody> </table> <p>† Working pressure should be considered in accordance with ISO 4413 to determine appropriate material type.</p>	Material		A	Aluminum - 6061-T6 3000† psi • 20.7 MPa	D	Ductile Iron - D4512 5000† psi • 34.5 MPa	<table border="1"> <thead> <tr> <th colspan="2">Valve Pattern</th> </tr> </thead> <tbody> <tr> <td colspan="2">See Tech Information</td> </tr> <tr> <td>D05H</td> <td>ISO 4401-05-05 NFFPA T3.5.1-D05 Alt A & B High flow</td> </tr> <tr> <td>D05J</td> <td>ISO 4401-05-05 NFFPA T3.5.1-D05 Alt A & B Extra high flow</td> </tr> </tbody> </table>	Valve Pattern		See Tech Information		D05H	ISO 4401-05-05 NFFPA T3.5.1-D05 Alt A & B High flow	D05J	ISO 4401-05-05 NFFPA T3.5.1-D05 Alt A & B Extra high flow	<table border="1"> <thead> <tr> <th colspan="2">Product Type</th> </tr> </thead> <tbody> <tr> <td>SP</td> <td>Subplate</td> </tr> </tbody> </table>	Product Type		SP	Subplate	<table border="1"> <thead> <tr> <th colspan="2">Circuit</th> </tr> </thead> <tbody> <tr> <td>RV</td> <td>Main Relief P to T</td> </tr> </tbody> </table>	Circuit		RV	Main Relief P to T	<table border="1"> <thead> <tr> <th colspan="2">Relief Cavity</th> </tr> </thead> <tbody> <tr> <td>C</td> <td>Common cavity C-10-2 on D05H (P in nose) C-16-2 on D05J (P in nose)</td> </tr> <tr> <td>S</td> <td>Sun Cavity T-3A on D05H (P in nose) T-16A on D05J (P in nose) See Tech Info for valves</td> </tr> </tbody> </table>	Relief Cavity		C	Common cavity C-10-2 on D05H (P in nose) C-16-2 on D05J (P in nose)	S	Sun Cavity T-3A on D05H (P in nose) T-16A on D05J (P in nose) See Tech Info for valves	<table border="1"> <thead> <tr> <th colspan="3">P, T, A, B Port Threads</th> </tr> <tr> <th colspan="2">D05H only</th> <th>D05J only</th> </tr> </thead> <tbody> <tr> <td>12P</td> <td>0.75-14 NPTF ANSI B1.20.3</td> <td>16P 1.00-11.5 NPTF ANSI B1.20.3</td> </tr> <tr> <td>12S</td> <td>-12 SAE ISO 11926; SAE 1926</td> <td>16S -16 SAE ISO 11926; SAE 1926</td> </tr> <tr> <td>12B</td> <td>0.75-14 BSPP ISO 1179; BS 2779</td> <td>16B 1.00-11 BSPP ISO 1179; BS 2779</td> </tr> <tr> <td>12M</td> <td>M27 x 2.0 ISO 6149</td> <td>16M M33 x 2.0 ISO 6149</td> </tr> <tr> <td>12T</td> <td>0.75-14 BSPT ISO 7; BS 21</td> <td>16T 1.00-11 BSPT ISO 7; BS 21</td> </tr> </tbody> </table> <p>X & Y port size (reference)</p>	P, T, A, B Port Threads			D05H only		D05J only	12P	0.75-14 NPTF ANSI B1.20.3	16P 1.00-11.5 NPTF ANSI B1.20.3	12S	-12 SAE ISO 11926; SAE 1926	16S -16 SAE ISO 11926; SAE 1926	12B	0.75-14 BSPP ISO 1179; BS 2779	16B 1.00-11 BSPP ISO 1179; BS 2779	12M	M27 x 2.0 ISO 6149	16M M33 x 2.0 ISO 6149	12T	0.75-14 BSPT ISO 7; BS 21	16T 1.00-11 BSPT ISO 7; BS 21
Material																																																						
A	Aluminum - 6061-T6 3000† psi • 20.7 MPa																																																					
D	Ductile Iron - D4512 5000† psi • 34.5 MPa																																																					
Valve Pattern																																																						
See Tech Information																																																						
D05H	ISO 4401-05-05 NFFPA T3.5.1-D05 Alt A & B High flow																																																					
D05J	ISO 4401-05-05 NFFPA T3.5.1-D05 Alt A & B Extra high flow																																																					
Product Type																																																						
SP	Subplate																																																					
Circuit																																																						
RV	Main Relief P to T																																																					
Relief Cavity																																																						
C	Common cavity C-10-2 on D05H (P in nose) C-16-2 on D05J (P in nose)																																																					
S	Sun Cavity T-3A on D05H (P in nose) T-16A on D05J (P in nose) See Tech Info for valves																																																					
P, T, A, B Port Threads																																																						
D05H only		D05J only																																																				
12P	0.75-14 NPTF ANSI B1.20.3	16P 1.00-11.5 NPTF ANSI B1.20.3																																																				
12S	-12 SAE ISO 11926; SAE 1926	16S -16 SAE ISO 11926; SAE 1926																																																				
12B	0.75-14 BSPP ISO 1179; BS 2779	16B 1.00-11 BSPP ISO 1179; BS 2779																																																				
12M	M27 x 2.0 ISO 6149	16M M33 x 2.0 ISO 6149																																																				
12T	0.75-14 BSPT ISO 7; BS 21	16T 1.00-11 BSPT ISO 7; BS 21																																																				

D05 High Flow Subplates with Pilot Ports and Relief Cavity

Side Ported Subplate with Cylinder Port
Crossover Relief Cavities

Valve mtg: UNC 0.25-20 x 0.75 DP or
Metric M6-1.0mm ISO 6H x [19.1] DP
Subplate hardware kit is supplied.
See page 122 for itemized list.



Dimension	A	B	C	D	E	F	G	H	I
*D05HSPCR*12*	4.50 [114.3]	5.00 [127.0]	5.00 [127.0]	2.41 [61.1]	4.63 [117.5]	--	3.03 [77.0]	4.63 [117.5]	2.13 [54.0]
D05JSPCRC16	4.50 [114.3]	5.00 [127.0]	5.00 [127.0]	2.41 [61.1]	4.63 [117.5]	--	3.03 [77.0]	4.63 [117.5]	2.13 [54.0]
D05JSPCRS16	4.50 [114.3]	6.00 [152.4]	6.00 [152.4]	2.91 [73.8]	5.63 [142.9]	0.38 [9.7]	3.53 [89.7]	5.63 [142.9]	2.63 [66.7]

Dimension	J	K	L	M	N	O	P	Q	R
*D05HSPCR*12*	1.00 [25.4]	2.41 [61.1]	3.00 [76.2]	0.63 [15.9]	2.00 [50.8]	2.85 [72.3]	2.81 [71.4]	4.00 [101.6]	4.38 [111.1]
D05JSPCRC16	1.00 [25.4]	2.41 [61.1]	3.00 [76.2]	0.63 [15.9]	1.75 [44.5]	2.85 [72.3]	2.81 [71.4]	4.00 [101.6]	4.38 [111.1]
D05JSPCRS16	1.50 [38.1]	2.91 [73.8]	3.69 [93.7]	1.13 [28.6]	2.25 [57.2]	3.35 [85.0]	3.31 [84.1]	4.50 [114.3]	4.88 [124.0]

Dimension	S	T	U	V	W	X	Y	Z
D05HSPCRC12	0.38 [9.5]	1.69 [42.9]	3.94 [100.0]	1.47 [37.3]	1.75 [44.5]	2.50 [63.5]	3.25 [82.6]	1.28 [32.5]
D05HSPCRS12	0.38 [9.5]	1.69 [42.9]	3.94 [100.0]	1.31 [33.3]	1.75 [44.5]	2.50 [63.5]	3.25 [82.6]	1.06 [27.0]
D05JSPCRC16	0.38 [9.5]	1.69 [42.9]	3.94 [100.0]	1.31 [33.3]	1.75 [44.5]	2.50 [63.5]	3.25 [82.6]	1.06 [27.0]
D05JSPCRS16	0.38 [9.5]	1.69 [42.9]	3.94 [100.0]	1.31 [33.3]	2.13 [54.0]	2.50 [63.5]	3.25 [82.6]	1.06 [27.0]

Specifications, descriptions, and dimensional data are subject to correction or change without notice or incurring obligation. Download latest catalog page revisions at www.damanifolds.com.

Ordering Information

Material	Valve Pattern	Product Type	Circuit	Relief Cavity	Port Threads																																																												
<table border="1"> <thead> <tr> <th colspan="2">Material</th> </tr> </thead> <tbody> <tr> <td>A</td> <td>Aluminum - 6061-T6 3000† psi • 20.7 MPa</td> </tr> <tr> <td>D</td> <td>Ductile Iron - D4512 5000† psi • 34.5 MPa</td> </tr> </tbody> </table> <p>† Working pressure should be considered in accordance with ISO 4413 to determine appropriate material type.</p>	Material		A	Aluminum - 6061-T6 3000† psi • 20.7 MPa	D	Ductile Iron - D4512 5000† psi • 34.5 MPa	<table border="1"> <thead> <tr> <th colspan="2">Valve Pattern</th> </tr> <tr> <td colspan="2">See Tech Information</td> </tr> <tr> <td>D05H</td> <td>ISO 4401-05-05 NFPA T3.5.1-D05 Alt A & B High flow</td> </tr> <tr> <td>D05J</td> <td>ISO 4401-05-05 NFPA T3.5.1-D05 Alt A & B Extra high flow</td> </tr> </thead></table>	Valve Pattern		See Tech Information		D05H	ISO 4401-05-05 NFPA T3.5.1-D05 Alt A & B High flow	D05J	ISO 4401-05-05 NFPA T3.5.1-D05 Alt A & B Extra high flow	<table border="1"> <thead> <tr> <th colspan="2">Product Type</th> </tr> </thead> <tbody> <tr> <td>SP</td> <td>Subplate</td> </tr> </tbody> </table>	Product Type		SP	Subplate	<table border="1"> <thead> <tr> <th colspan="2">Circuit</th> </tr> </thead> <tbody> <tr> <td>CR</td> <td>Crossover Reliefs A to B and B to A</td> </tr> </tbody> </table>	Circuit		CR	Crossover Reliefs A to B and B to A	<table border="1"> <thead> <tr> <th colspan="2">Relief Cavity</th> </tr> </thead> <tbody> <tr> <td>C</td> <td>Common cavity C-10-2 on D05H (P in nose) C-16-2 on D05J (P in nose)</td> </tr> <tr> <td>S</td> <td>Sun Cavity T-3A on D05H (P in nose) T-16A on D05J (P in nose) See Tech Info for valves</td> </tr> </tbody> </table>	Relief Cavity		C	Common cavity C-10-2 on D05H (P in nose) C-16-2 on D05J (P in nose)	S	Sun Cavity T-3A on D05H (P in nose) T-16A on D05J (P in nose) See Tech Info for valves	<table border="1"> <thead> <tr> <th colspan="3">P, T, A, B Port Threads</th> <th rowspan="2">X & Y port size (reference)</th> </tr> <tr> <th colspan="2">D05H only</th> <th>D05J only</th> </tr> </thead> <tbody> <tr> <td>12P</td> <td>0.75-14 NPTF ANSI B1.20.3</td> <td>16P</td> <td>1.00-11.5 NPTF ANSI B1.20.3</td> <td>0.25-18 NPTF ANSI B1.20.3</td> </tr> <tr> <td>12S</td> <td>-12 SAE ISO 11926; SAE 1926</td> <td>16S</td> <td>-16 SAE ISO 11926; SAE 1926</td> <td>-4 SAE ISO 11926; SAE 1926</td> </tr> <tr> <td>12B</td> <td>0.75-14 BSPP ISO 1179; BS 2779</td> <td>16B</td> <td>1.00-11 BSPP ISO 1179; BS 2779</td> <td>0.25-19 BSPP ISO 1179; BS 2779</td> </tr> <tr> <td>12M</td> <td>M27 x 2.0 ISO 6149</td> <td>16M</td> <td>M33 x 2.0 ISO 6149</td> <td>M10 x 1.0 ISO 6149</td> </tr> <tr> <td>12T</td> <td>0.75-14 BSPT ISO 7; BS 21</td> <td>16T</td> <td>1.00-11 BSPT ISO 7; BS 21</td> <td>0.25-19 BSPT ISO 7; BS 21</td> </tr> </tbody> </table>	P, T, A, B Port Threads			X & Y port size (reference)	D05H only		D05J only	12P	0.75-14 NPTF ANSI B1.20.3	16P	1.00-11.5 NPTF ANSI B1.20.3	0.25-18 NPTF ANSI B1.20.3	12S	-12 SAE ISO 11926; SAE 1926	16S	-16 SAE ISO 11926; SAE 1926	-4 SAE ISO 11926; SAE 1926	12B	0.75-14 BSPP ISO 1179; BS 2779	16B	1.00-11 BSPP ISO 1179; BS 2779	0.25-19 BSPP ISO 1179; BS 2779	12M	M27 x 2.0 ISO 6149	16M	M33 x 2.0 ISO 6149	M10 x 1.0 ISO 6149	12T	0.75-14 BSPT ISO 7; BS 21	16T	1.00-11 BSPT ISO 7; BS 21	0.25-19 BSPT ISO 7; BS 21
Material																																																																	
A	Aluminum - 6061-T6 3000† psi • 20.7 MPa																																																																
D	Ductile Iron - D4512 5000† psi • 34.5 MPa																																																																
Valve Pattern																																																																	
See Tech Information																																																																	
D05H	ISO 4401-05-05 NFPA T3.5.1-D05 Alt A & B High flow																																																																
D05J	ISO 4401-05-05 NFPA T3.5.1-D05 Alt A & B Extra high flow																																																																
Product Type																																																																	
SP	Subplate																																																																
Circuit																																																																	
CR	Crossover Reliefs A to B and B to A																																																																
Relief Cavity																																																																	
C	Common cavity C-10-2 on D05H (P in nose) C-16-2 on D05J (P in nose)																																																																
S	Sun Cavity T-3A on D05H (P in nose) T-16A on D05J (P in nose) See Tech Info for valves																																																																
P, T, A, B Port Threads			X & Y port size (reference)																																																														
D05H only		D05J only																																																															
12P	0.75-14 NPTF ANSI B1.20.3	16P	1.00-11.5 NPTF ANSI B1.20.3	0.25-18 NPTF ANSI B1.20.3																																																													
12S	-12 SAE ISO 11926; SAE 1926	16S	-16 SAE ISO 11926; SAE 1926	-4 SAE ISO 11926; SAE 1926																																																													
12B	0.75-14 BSPP ISO 1179; BS 2779	16B	1.00-11 BSPP ISO 1179; BS 2779	0.25-19 BSPP ISO 1179; BS 2779																																																													
12M	M27 x 2.0 ISO 6149	16M	M33 x 2.0 ISO 6149	M10 x 1.0 ISO 6149																																																													
12T	0.75-14 BSPT ISO 7; BS 21	16T	1.00-11 BSPT ISO 7; BS 21	0.25-19 BSPT ISO 7; BS 21																																																													